

McALLEN CITY HALL VETERANS WAR MEMORIAL OF TEXAS



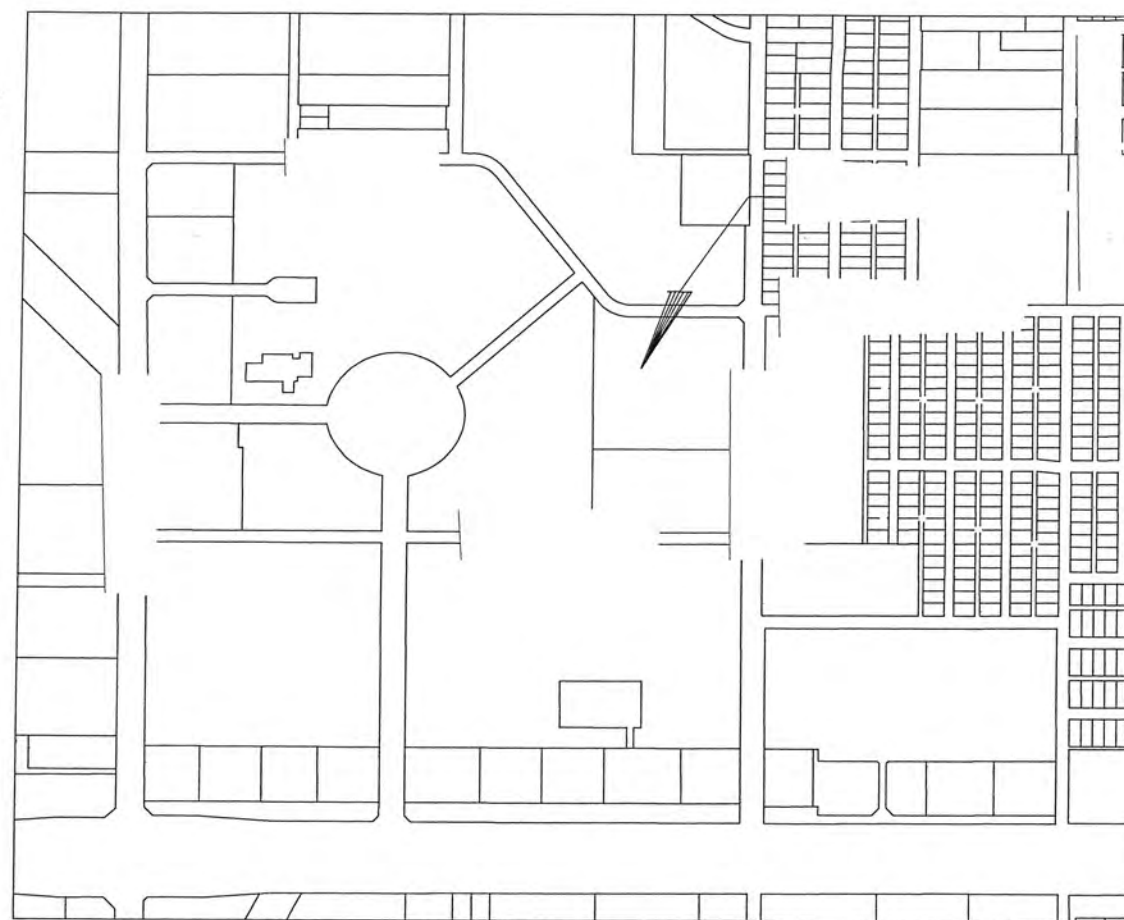
CITY OFFICIALS:

JIM DARLING	MAYOR
VERONICA WHITACRE	MAYOR PRO-TEM AND COMMISSIONER DIST 6
JAVIER VILLALOBOS	COMMISSIONER DISTRICT 1
JOAQUIN "J.J." ZAMORA	COMMISSIONER DISTRICT 2
OMAR QUINTANILLA	COMMISSIONER DISTRICT 3
TANIA RAMIREZ	COMMISSIONER DISTRICT 4
VICTOR "SEBY" HADDAD	COMMISSIONER DISTRICT 5
ROEL "ROY" RODRIGUEZ P.E.	CITY MANAGER

SHEET INDEX:

T1	COVER SHEET
A1	GENERAL NOTES
A2	ENTRY DRIVEWAY MONUMENT
A3	ACCESS PLAN
A4	ENTRY DRIVEWAY MONUMENT
A5	ENTRYWAY FLAG POLE
A6	ENTRYWAY LANDSCAPE LIGHTING
A7	ENTRYWAY MONUMENT
A8	ENTRYWAY MONUMENT
A9	ENTRYWAY MONUMENT
A10	MONUMENT PEDESTAL
A11	ALUMINUM FLAGPOLE

THE STANDARD SHEETS INCORPORATED INTO THIS DOCUMENT
HAVE BEEN SELECTED BY ME OR UNDER MY RESPONSIBLE
SUPERVISION AS BEING APPLICABLE TO THIS PROJECT.



VICINITY MAP
(NTS)

APPROVED FOR CONSTRUCTION:

Yvette Barrera PE 7/18/19
YVETTE BARRERA, P.E., C.F.M. DATE
CITY ENGINEER



Eduardo Mendoza P.E. 7/17/19
EDUARDO MENDOZA, P.E. DATE

NOTES:

1. CONTRACTOR TO VERIFY ALL DIMENSIONS AT JOB SITE.
2. CONTRACTOR MUST COMPLY WITH TEXAS DEPARTMENT OF LICENSING AND REGULATION.
3. ALL WORK UNDER THIS CONTRACT SHALL CONFORM TO THE REQUIREMENTS OF THESE SPECIFICATIONS.
4. IN CASES WHERE THE STANDARD SPECIFICATIONS ARE IN CONFLICT WITH EITHER PLANS AND SPECIFICATIONS OR THE SPECIAL PROVISIONS, THE ORDER OF SUPERSEDEANCE SHALL BE SPECIAL PROVISIONS AND PLANS AND SPECIFICATIONS.
5. ALL LABOR, MATERIALS, EQUIPMENT, SUPERVISION AND OTHER SERVICES REQUIRED FOR THIS CONSTRUCTION WILL BE FURNISHED IN ACCORDANCE WITH PLANS AND SPECIFICATIONS AS PREPARED BY THE CITY OF McALLEN.
6. CITY OF McALLEN HAS DELINEATED WORK AREAS AND ACCESS ROUTES. ANY DAMAGED PROPERTY NOT OTHERWISE MENTIONED WITHIN PLANS OR SPECIFICATIONS TO BE INSTALLED, SHALL BE THE RESPONSIBILITY OF THE CONTRACTOR (PRODUCT AND INSTALLATION) AS APPROVED BY CITY OF McALLEN.
7. A CONTRACTOR'S SUPERINTENDENT OR REPRESENTATIVE (APPROVED BY CITY) SHALL BE ON THE JOB AT ALL TIMES THAT CONSTRUCTION WORKERS ARE PRESENT AT THE CONSTRUCTION SITE.
8. CONTRACTOR TO PROVIDE FOR HIS OWN UTILITY REQUIREMENTS.
9. A BUILDING PERMIT WILL BE REQUIRED FOR THE CONSTRUCTION OF THIS PROJECT. CONTRACTOR IS RESPONSIBLE FOR OBTAINING PERMIT AND ANY RELATED FEES.
10. OWNER'S REPRESENTATIVES SHALL AT ALL TIMES HAVE ACCESS TO THE WORK WHENEVER IT IS IN PREPARATION PROGRESS, AND THE CONTRACTOR SHALL PROVIDE PROPER FACILITIES FOR SUCH ACCESS, AND FOR INSPECTION.
11. RE-EXAMINATION OF THE WORK MAY BE ORDERED BY THE ARCHITECT/ENGINEER AND, IF SO ORDERED, THE WORK MUST BE UNCOVERED BY THE CONTRACTOR. IF SUCH WORK IS FOUND TO BE IN ACCORDANCE WITH THE CONTRACT DOCUMENTS, THE OWNER SHALL PAY THE COST OF RE-EXAMINATION AND REPLACEMENT. IF SUCH WORK IS NOT IN ACCORDANCE WITH THE CONTRACT DOCUMENTS, THE CONTRACTOR SHALL PAY SUCH COST.
12. ALL WORKMANSHIP, EQUIPMENT AND MATERIALS, FURNISHED OR INSTALLED BY THE CONTRACTOR SHALL BE GUARANTEED FOR A PERIOD OF AT LEAST ONE (1) YEAR AGAINST FAULTY WORKMANSHIP OR DEFECTIVE MATERIALS. THE WARRANTY PERIOD SHALL BEGIN ON THE DATE OF SUBSTANTIAL COMPLETION AND ACCEPTANCE OF THE PROJECT BY THE OWNER.
13. AT THE END OF EACH DAY'S WORK SESSION CONTRACTOR SHALL CLEAN THE PREMISES, REMOVE ALL CONSTRUCTION DEBRIS AND LEAVE THE PUBLIC WORKS SITE IN A CONDITION THAT DAILY WORK ACTIVITIES CAN PROCEED. REMOVE ALL TRASH, SURPLUS AND DISCARDED MATERIALS, TEMPORARY SERVICES, MATERIALS AND DEBRIS OF EVERY KIND. THE CONTRACTOR SHALL LEAVE THE SITE OF THE WORK IN A NEAT AND ORDERLY CONDITION EQUAL TO THAT WHICH ORIGINALLY EXISTED. WASTE MATERIALS REMOVED FROM THE SITE SHALL BE DISPOSED OF AND SECURED AT LOCATIONS SATISFACTORY TO THE PROJECT ARCHITECT AND SHALL BE CONSIDERED INCIDENTAL TO THE BID.
14. THE CONTRACTOR SHALL PROMPTLY REMOVE FROM THE PREMISES ALL MATERIALS AND WORK CONDEMNED BY THE OWNER/DESIGNER AS FAILING TO MEET CONTRACT REQUIREMENTS, WHETHER INCORPORATED IN THE WORK OF OTHER CONTRACTORS DESTROYED OR DAMAGED BY SUCH REMOVAL OR REPLACEMENT.
15. IF THE CONTRACTOR DOES NOT TAKE ACTION TO REMOVE SUCH CONDEMNED MATERIALS AND WORK WITHIN 10 DAYS AFTER WRITTEN NOTICE, THE OWNER MAY REMOVE THEM AND MAY STORE THE MATERIAL AT THE EXPENSE OF THE CONTRACTOR. IF THE CONTRACTOR DOES NOT PAY THE EXPENSE OF SUCH REMOVAL AND STORAGE WITHIN TEN DAYS' TIME THEREAFTER, THE OWNER MAY, UPON TEN DAYS', WRITTEN NOTICE, SELL SUCH MATERIALS AT AUCTION OR AT PRIVATE SALE AND SHALL PAY THE CONTRACTOR ANY NET PROCEEDS THEREOF, AFTER DEDUCTING ALL THE COSTS AND EXPENSES THAT SHOULD HAVE BEEN BORNE BY THE CONTRACTOR.
16. CONTRACTOR SHALL BE RESPONSIBLE FOR MAKING SURE FIRE SPRINKLER SYSTEM REMAIN IN COMPLIANCE.

FILE NAME:
DATE: 2/26/19
SURVEYED BY:
DESIGNED BY: ZEF
DRAWN BY: M.V
CHECKED BY: ZEF
PROJECT NO:

TITLE: WAR MEMORIAL GENERAL NOTES CITY OF McALLEN
--



SCALE:	HOR: 1" = NTS
	VERT: 1" = NTS
REVISIONS:	
SEAL:	
DATE:	
SHEET NO.:	A1 OF 11



EJM 7/17/19

THIS DOCUMENT IS THE PROPERTY OF THE CITY OF McALLEN. IT IS TO BE USED ONLY FOR THE PROJECT AND SITE SPECIFICALLY IDENTIFIED IN THE TITLE. IT IS NOT TO BE REPRODUCED OR TRANSMITTED IN ANY FORM OR BY ANY MEANS, ELECTRONIC OR MECHANICAL, INCLUDING PHOTOCOPYING, RECORDING, OR BY ANY INFORMATION STORAGE AND RETRIEVAL SYSTEM, WITHOUT THE WRITTEN PERMISSION OF THE CITY OF McALLEN.

FILE NAME:
DATE: 2/26/19
SURVEYED BY:
DESIGNED BY: ZEF
DRAWN BY: M.V
CHECKED BY: ZEF
PROJECT NO:

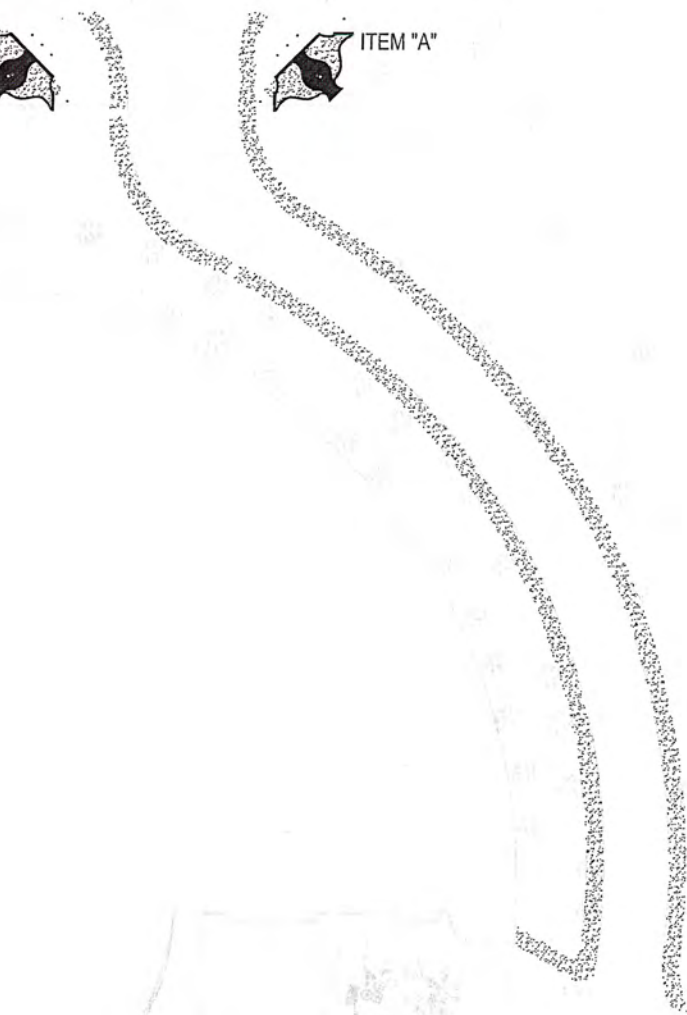
TITLE:
WAR MEMORIAL ENTRY DRIVEWAY MONUMENT
CITY OF McALLEN
ENGINEERING DEPARTMENT



SCALE:
HOR: 1" = 80'
VERT: 1" = 80'
REVISIONS:
SEAL:
DATE:
SHEET NO.:
A2 OF 11

ITEM "B"  ITEM "A" 

* REFER TO SHEET A5 & A6
FOR ENTRYWAY DETAIL



1 ENTRY DRIVEWAY MONUMENT
SCALE: 1" = 80'



EJM 7/17/19

ALL DIMENSIONS ARE TO FACE UNLESS OTHERWISE NOTED. ALL DIMENSIONS ARE TO FACE UNLESS OTHERWISE NOTED. ALL DIMENSIONS ARE TO FACE UNLESS OTHERWISE NOTED.

SEE DETAIL NO. 2, 3, 4 & 5

ITEM "C"

CONTRACTOR TO VERIFY LOCATION OF MONUMENT FOUNDATION 38"W X 7' X 8' W/ OWNER.

ITEM "C"

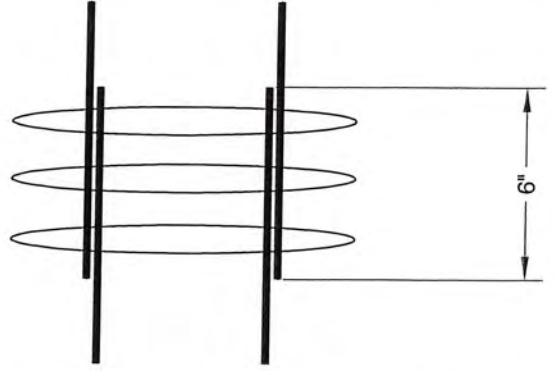
SEE DETAIL NO. 2, 3, 4 & 5



EJM 7/17/19

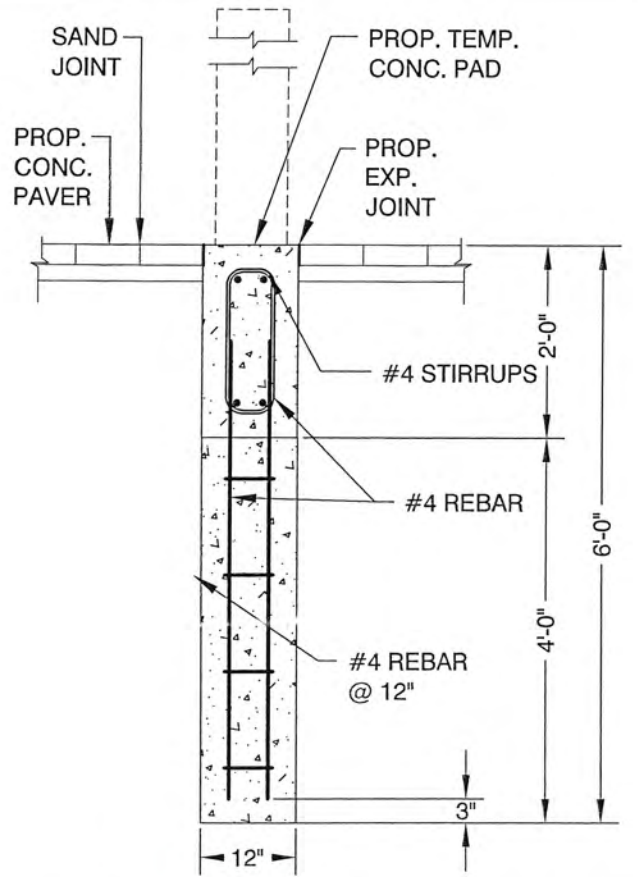
1 MONUMENT
SCALE: 1" = 1/4"

- 6" STEEL LADDER, PLACED ALONG TOP OF EACH LAYER OF BLOCK FROM BOTTOM OF TOP OF BLOCK
- WALL- 5/8" REBAR 16" CENTERS, REBAR TIED TO FOUNDATION STEEL SPACING WITH 6" W/ 2 TIES STEEL WIRE. STEEL EXTEND TO 1" BELOW TOP OF LAST BLOCK.
- FOUNDATION-REBAR 12" CENTERS, REBAR TIED TO FOUNDATION STEEL 6" SPACING 2 TIES TO WALL STEEL. MOULINTIC POUR FIRST 7 DAY, DRYING BEFORE BLOCK ATTACHED AND STEEL OVERLAP TIED 6" APART.
- CONCRETE-MIX CEMENT, SAND AND GRAVEL MIX TO 3,000 PSI. DRYING WITHIN 7 DAYS LIQUID ADAPTOR MIX WASH WALL TO SMOOTH TEXTURE WITHOUT ANY GAPS OR HOLES.

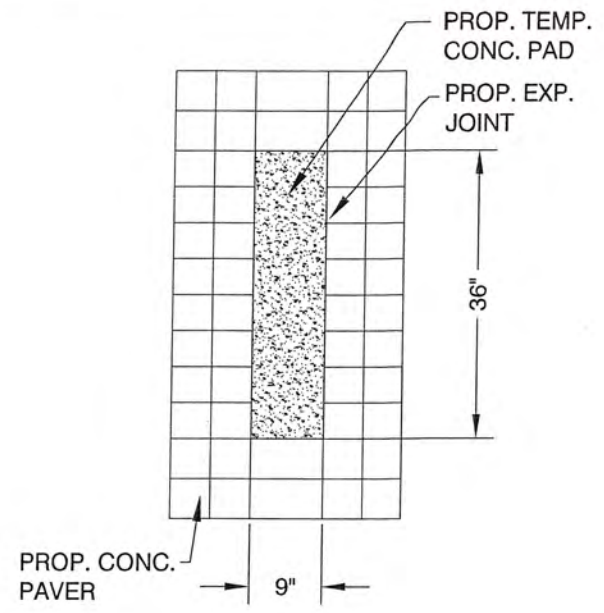


STEEL FOR WALL SHOW OVERLAP OF STEEL 2' OR GREATER

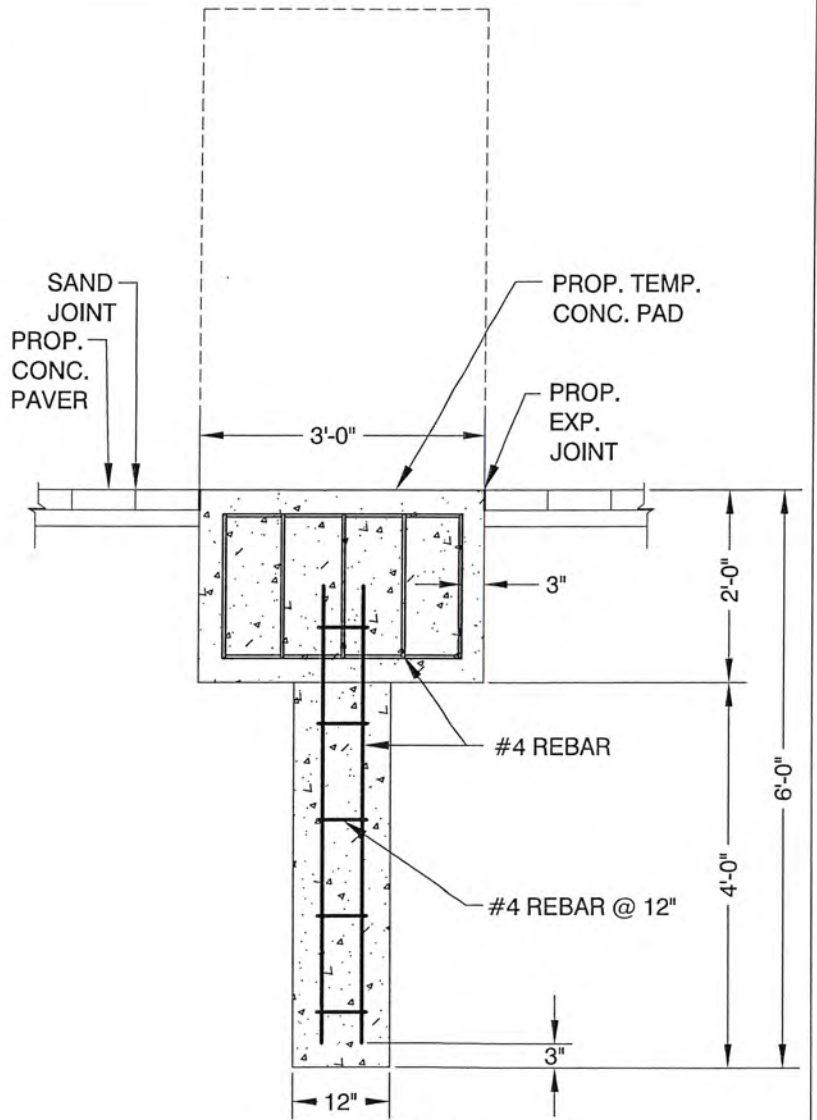
2 SPLICE DETAIL
SCALE: 1" = 1/2"



3 MONUMENT DETAIL
SCALE: 1" = 1/2"



4 MONUMENT TOP VIEW
SCALE: 1" = 1/2"



5 MONUMENT DETAIL
SCALE: 1" = 1/2"

FILE NAME:
DATE: 2/26/19
SURVEYED BY: ZEF
DESIGNED BY: ZEF
DRAWN BY: M.V
CHECKED BY: ZEF
PROJECT NO:

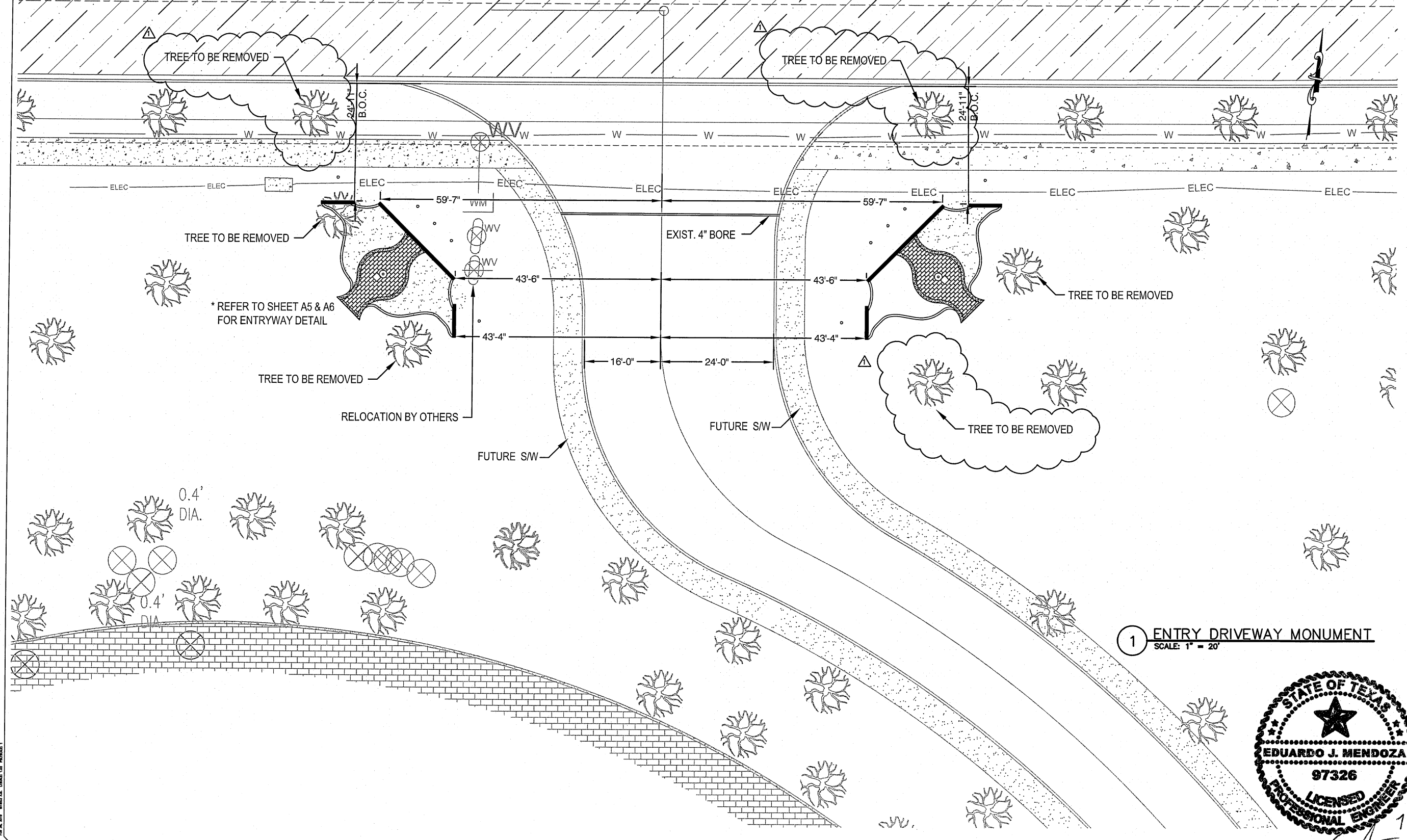
WAR MEMORIAL
ENTRY DRIVEWAY MONUMENT
CITY OF MCALLEN



HOR: 1" = 80'
VERT: 1" = 80'
REVISIONS:

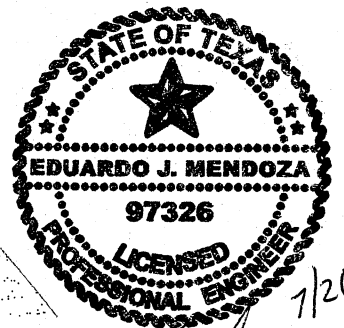
Colonel Plummer Drive

(50.0' R.O.W.)



* REFER TO SHEET A5 & A6 FOR ENTRYWAY DETAIL

1 ENTRY DRIVEWAY MONUMENT
SCALE: 1" = 20'



FILE NAME:
DATE: 2/26/19
SURVEYED BY:
DESIGNED BY: ZEF
DRAWN BY: M.V
CHECKED BY: ZEF
PROJECT NO:

WAR MEMORIAL
ENTRY DRIVEWAY MONUMENT
CITY OF McALLEN

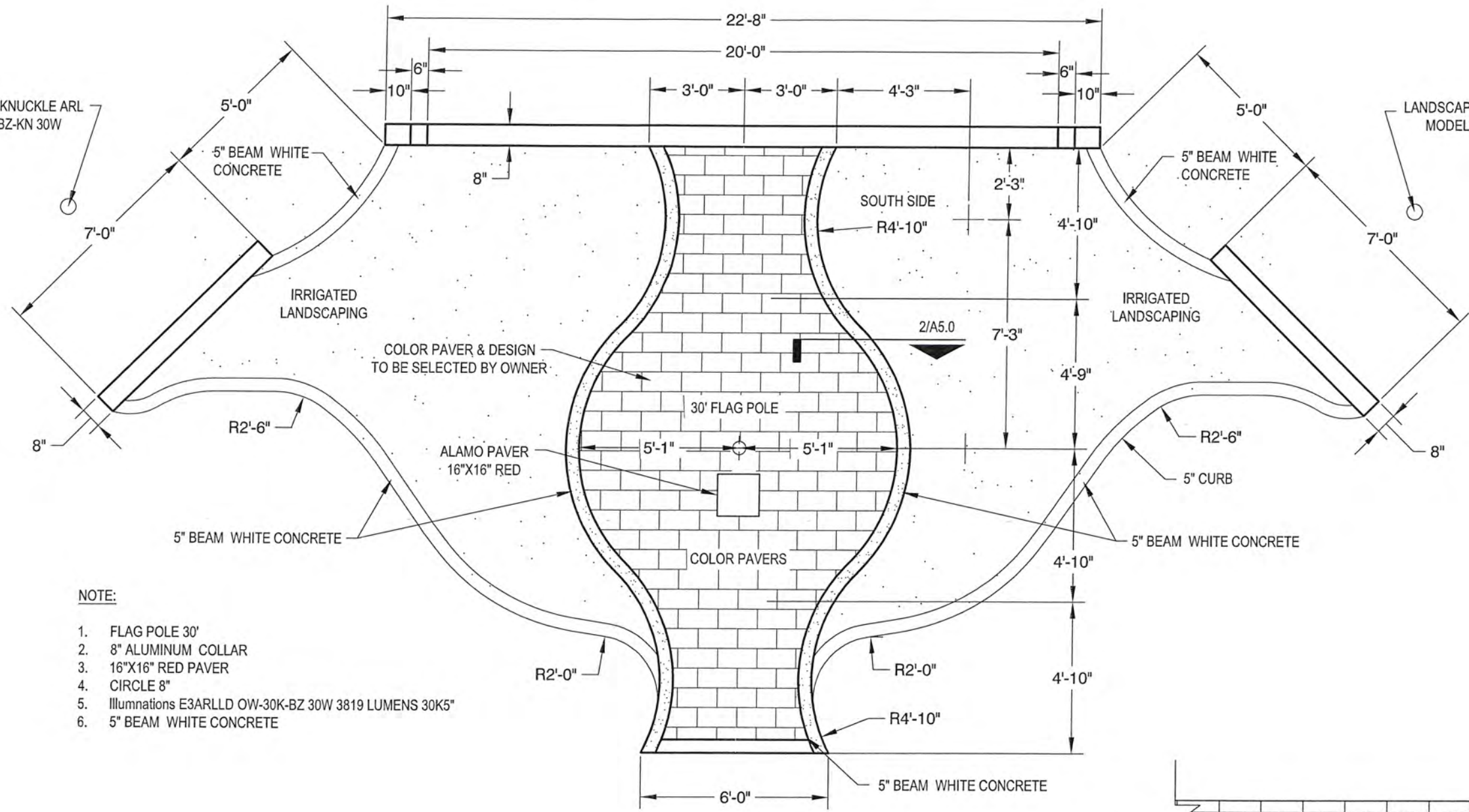
CITY OF
McALLEN
ENGINEERING DEPARTMENT

HOR:	1" = 20'
VERT:	1" = 20'
REVISIONS:	
△	REMOVE TREE
SEAL:	
DATE:	19
SHEET NO.:	A4 OF 11

LANDSCAPE LIGHT TYPE: KNUCKLE ARL
MODEL: LED-ARL-30K-BZ-KN 30W

LANDSCAPE LIGHT TYPE: KNUCKLE ARL
MODEL: LED-ARL-30K-BZ-KN 30W

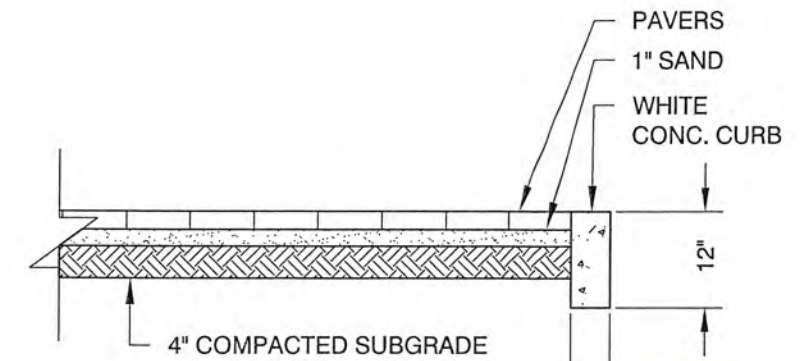
LANDSCAPE LIGHT TYPE: KNUCKLE ARL
MODEL: LED-ARL-30K-BZ-KN 30W



NOTE:

1. FLAG POLE 30'
2. 8" ALUMINUM COLLAR
3. 16"X16" RED PAVER
4. CIRCLE 8"
5. Illuminations E3ARLLD OW-30K-BZ 30W 3819 LUMENS 30K5"
6. 5" BEAM WHITE CONCRETE

1 ENTRYWAY FLAG POLE
SCALE: 1' = 1/4"



2 ENTRYWAY SECTION
SCALE: 1' = 1/2"



FILE NAME:
DATE: 2/26/19
SURVEYED BY:
DESIGNED BY: ZEF
DRAWN BY: M.V
CHECKED BY: ZEF
PROJECT NO:

TITLE:
WAR MEMORIAL
ENTRYWAY FLAG POLE
CITY OF McALLEN

CITY OF
McALLEN
ENGINEERING DEPARTMENT

SCALE:	HOR: 1' = 1/4"
	VERT: 1' = 1/4"
REVISIONS:	

SEAL:

DATE:
SHEET NO:
A5 of 11

7/17/19

FILE NAME:
DATE: 2/26/19
SURVEYED BY:
DESIGNED BY: ZEF
DRAWN BY: M.V
CHECKED BY: ZEF
PROJECT NO:

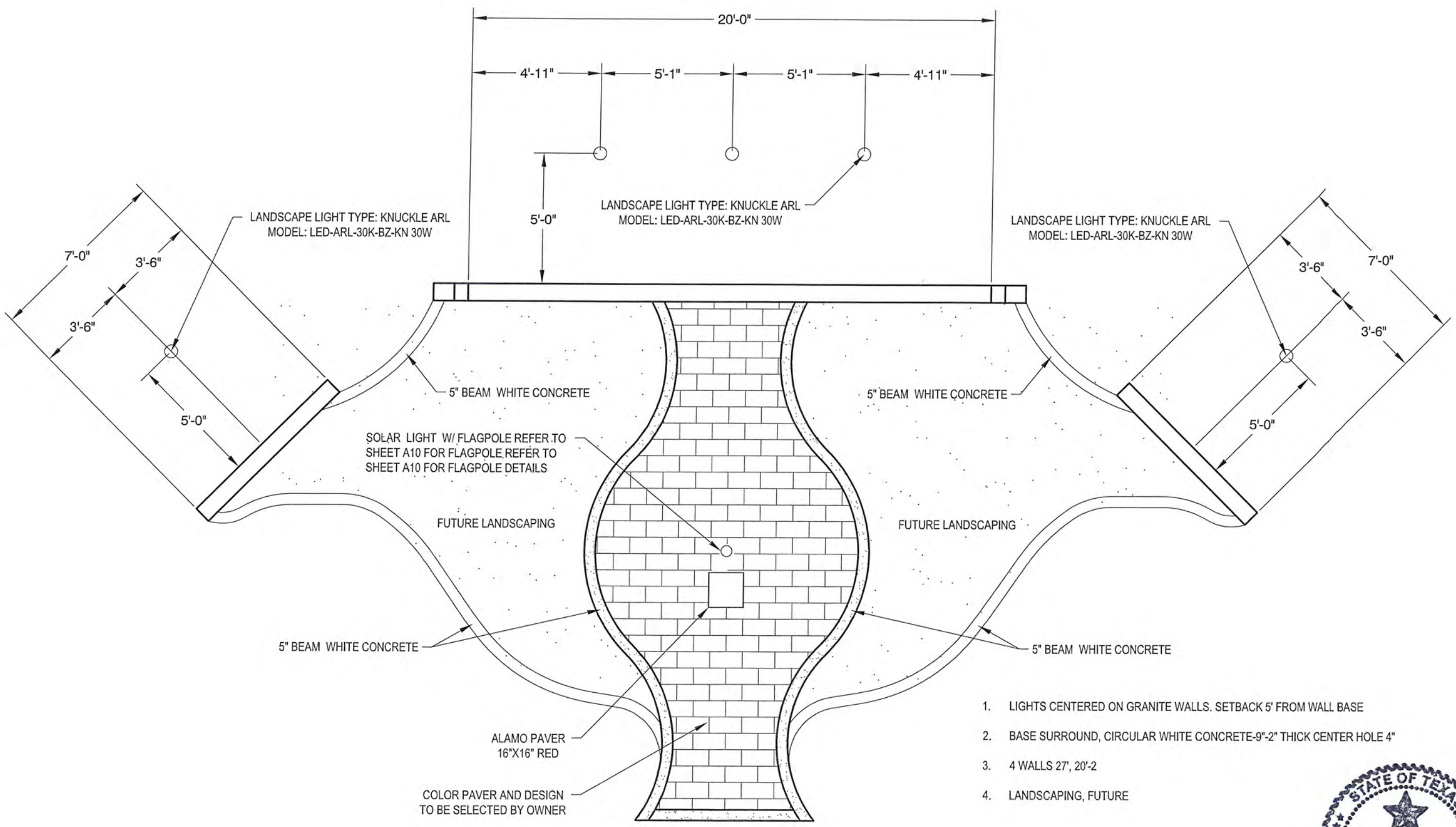
TITLE:
WAR MEMORIAL
ENTRYWAY LANDSCAPE LIGHTING
CITY OF MCALEN



SCALE:	HOR: 1' = 1/4"
	VERT: 1' = 1/4"
REVISIONS:	

SEAL:

DATE:
SHEET NO.:
A6 OF 11



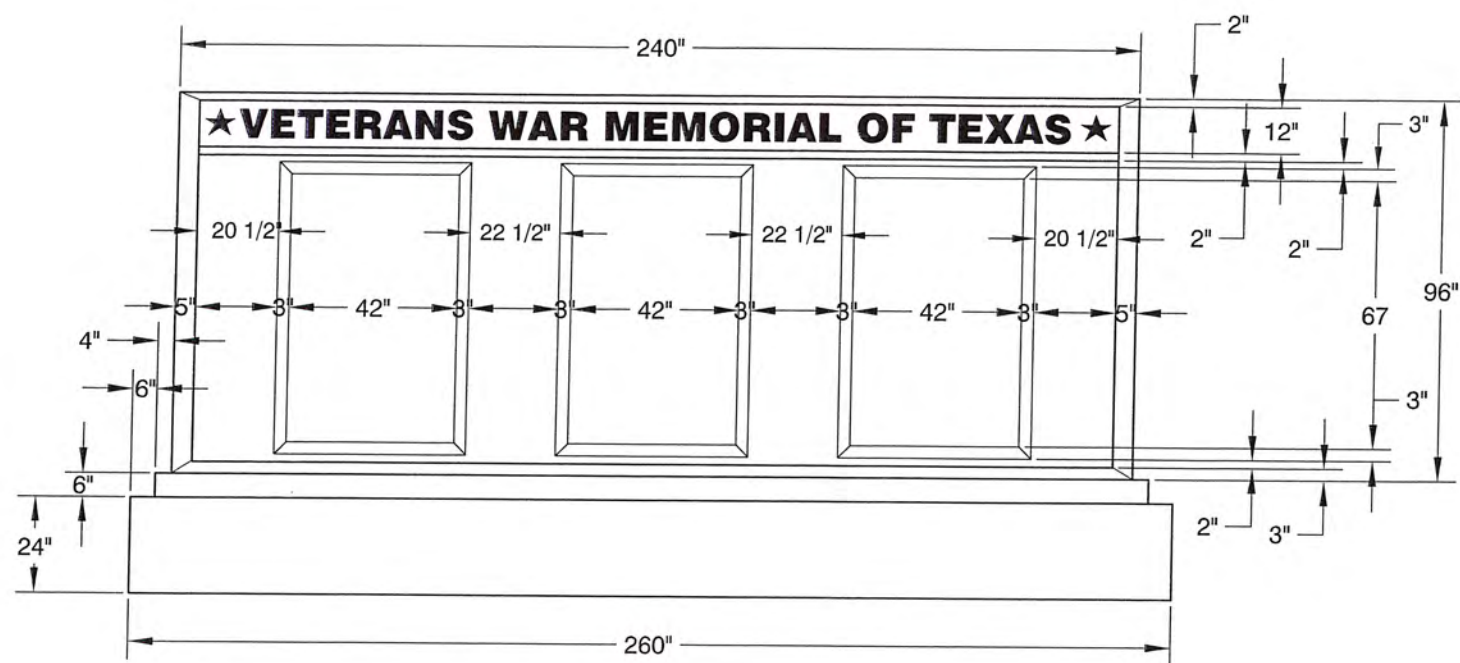
1. LIGHTS CENTERED ON GRANITE WALLS. SETBACK 5' FROM WALL BASE
2. BASE SURROUND, CIRCULAR WHITE CONCRETE-9"-2" THICK CENTER HOLE 4"
3. 4 WALLS 27', 20'-2
4. LANDSCAPING, FUTURE

1 ENTRYWAY LANDSCAPE LIGHTING
SCALE: 1' = 1/4"

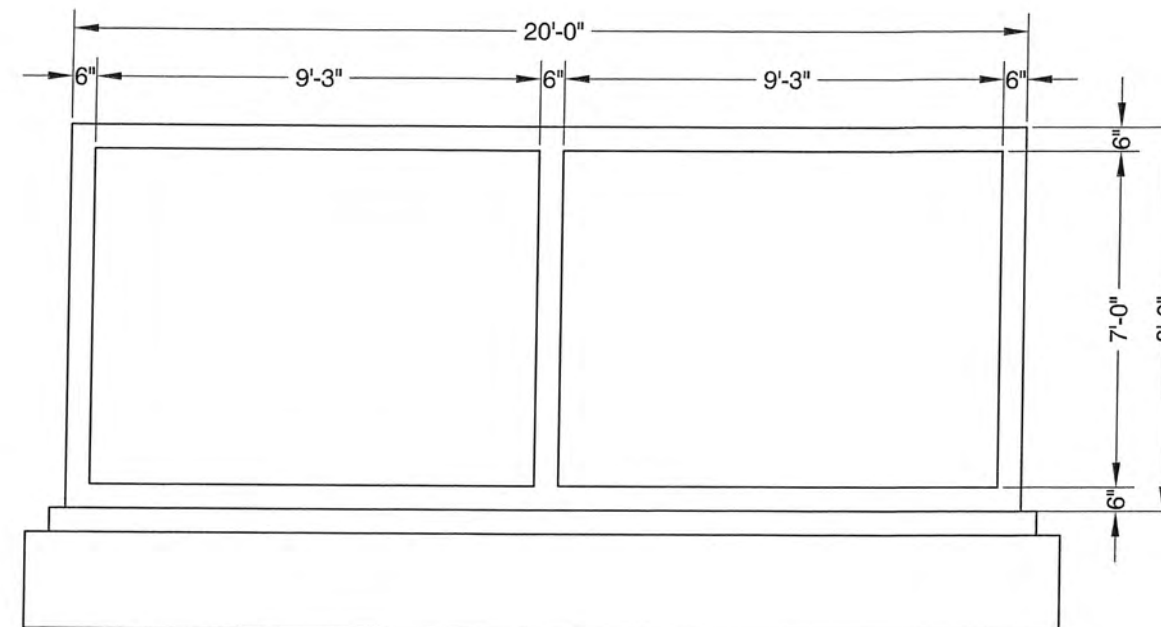


EJM 7/17/19

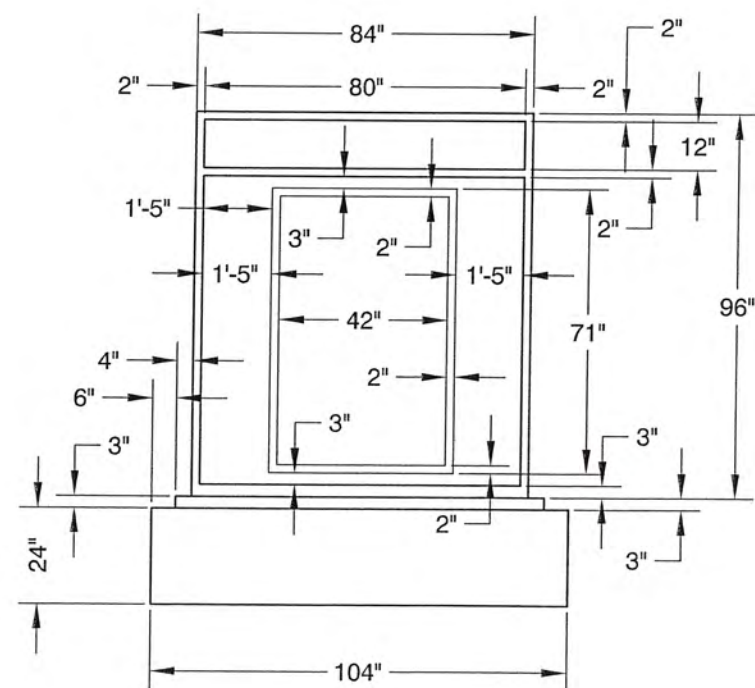
ALL DIMENSIONS UNLESS OTHERWISE NOTED ARE IN FEET AND INCHES. DIMENSIONS IN PARENTHESES ARE FOR INFORMATION ONLY.



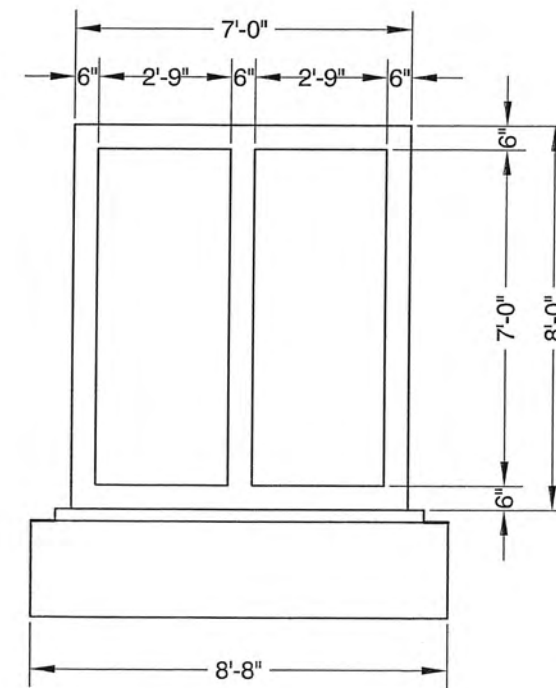
1 ENTRYWAY MONUMENT
SCALE: 1' = 1/4"



2 ENTRYWAY MONUMENT BACK SIDE
SCALE: 1' = 1/4"



3 ENTRYWAY MONUMENT
SCALE: 1' = 1/4"



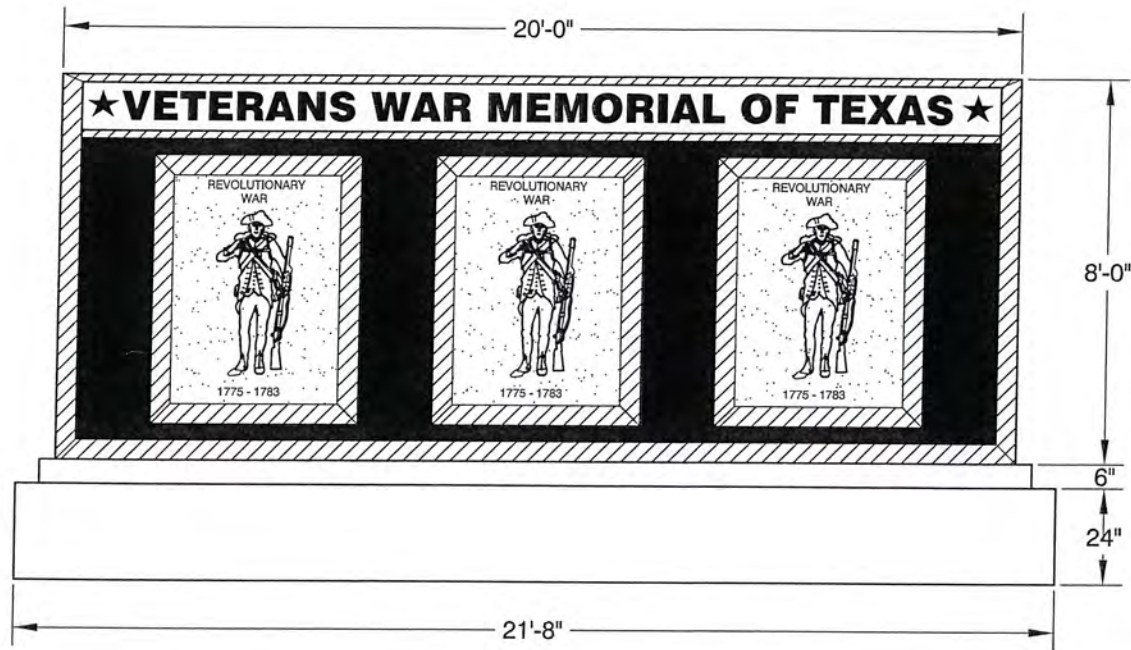
4 ENTRYWAY MONUMENT BACK SIDE
SCALE: 1' = 1/4"



FILE NAME:	
DATE:	2/26/19
SURVEYED BY:	
DESIGNED BY:	ZEF
DRAWN BY:	M.V
CHECKED BY:	ZEF
PROJECT NO.:	
TITLE:	WAR MEMORIAL ENTRYWAY MONUMENT CITY OF MCALLEN
	CITY OF MCALLEN ENGINEERING DEPARTMENT
HOR. SCALE:	1' = 1/4"
VERT. SCALE:	1' = 1/4"
REVISIONS:	
SEAL:	
DATE:	
SHEET NO.:	A7 OF 11

"THIS PRODUCT IS FOR INFORMATIONAL PURPOSES AND MAY NOT HAVE BEEN PREPARED FOR OR BE SUITABLE FOR LEGAL, ENGINEERING, OR SURVEYING PURPOSES. IT DOES NOT REPRESENT AN ON-THE-GROUND SURVEY AND REPRESENTS ONLY THE APPROXIMATE RELATIVE LOCATION OF PROPERTY BOUNDARIES. "

1. WALL 8" X 16" X 8" CINDER BLOCK-CONCRETE MIX 5/8" REBAR-WALL 16" CONECTER TO STEEL IN FOUNDATION EXTEND 1" FROM TOP OF BLOCK. CONCRETE TAMPED TO INSURE SEAL TO FOUNDATION AND FILLING OF EACH OPENING TO BE CINDER BLOCK. 6" STEEL LADDER X 20' BETWEEN EACH LAYER OF BLOCKS BEGINING WITH 1ST BLOCK TO BOTTOM OF LAST BLOCK. WALL-NO OPENINGS, FINISHED WITH CONCRETE SAND WASH.
3. FOUNDATION 5/8" REBAR SPACED 16" IN WALL AND 12" IN FOUNDATION-STEEL JOINED BY SPACING 6"-2 STEEL WIRE. FOUNDATION-1 POUR 7 DAY DRYING BEFORE WALL BEGIN CONSTRUCTION.
4. BLOCK CONCRETE, STEEL REBAR, FINISHED FLUSH, CONCRETE WASH, TOP OF WALL SLOPES 1/2" TO REAR OF WALL
5. DRIES 28 DAYS BEFORE FINISH STARTS SEE PLANS
6. TOP 16" FACE - 20' WALLS (2) AND 7' WALLS (4)
 - 1) CENTER 12" HOLDS 8" LETTERS, VINYL, VETERANS WAR MEMORIAL OF TEXAS MOUNTED ON STAINLESS STEEL PINS. AT EACH END SET 1 VINYL STAR THE OUTER 2" SURROUNDING THE VINYL LETTERS AND STAR IS 1" RAISED STUCCO FORM A RAISED FRAME SMOOTH AT TOP.
 - 2) THIS TOP 16" FINISHED WITH PEARL HAZE DRYVIT ITS SIDE LINES HAVE BEEN MARKED WITH TAPE. ALL TRIM LINES ARE FIRST MARKED BY TAPE LINES. COLOR PRIME AND COLOR FINISH.
 - 3) 7' WALLS (4) TOP 16" WITH PEARL HAZE DRYVET AROUND 12" WIDE & 1 1/4" THICK BLACK GRANITE PANELS AND STARS MOUNTED ON THE WALL, FINISH SAME AS 20' WALLS. TOP 16" STUCCO FINISHED SLANTING DOWNWARD WITH DRYVET FINISH. 2" TRIM AT BOTTOM OF 20' WALLS AND 7' WALLS SLANT DOWN TO PREVENT HOLDING WATER. SEE DETAIL REQUIREMENT PLANS.
 - 4) ALL GRANITE PANELS FRAMED WITH DRYVIT PRODUCTS. 20' WALLS - 3" - 3' WALLS - 2". SEE INSTRUCTIONS FINISH "PEARL HAZE".
7. GRANITE PANELS
 - 1) INSTALL 3-42"X67" GRANITE PANEL ON EACH 20' WALL
 - 2) WORK-DRYVIT STOPS AFTER DRYVET PRIMER APPLIED AND DRIED FOR 24 HRS. GRANITE PANEL HANGING HAS PRIORITY UNTIL FINISH PER 3 GRANITE PANELS HUNG FOR EACH 20' WALL. & 1 FOR 7' WALL AFTER COMPLETION AND APPROVED BY OWNER DRYVET APPLICATION STARTS PER DRYVET PANELS.
 - 3) INSTALL 1-42"X67" GRANITE PANEL ON EACH 7' WALL (4)
8. CONTRACTOR INSTALL 3-42"X67" GRANITE PANEL ON EA. 20' WALL
 - 1) SEE ATTACHED LETTER, DETAILS FOR APPLICATION OF DRYVIT
 - 2) ROMAN CLASSIC 8" FONT -BLACK LETTER FOR EACH 20' WALL. 11 1/2" X 6'-8" GRANITE PANEL INSTALL ON EA. TOP CENTER EACH 7' WALL (4)



1 ENTRYWAY MONUMENT
SCALE: 1" = 1/4"

LEGEND

-  PEARL HAZE TRIM
-  DRYVET SEDONA RED
-  GRANITE 1 1/4"

FILE NAME:
DATE: 2/26/19
SURVEYED BY:
DESIGNED BY: ZEF
DRAWN BY: M.V
CHECKED BY: ZEF
PROJECT NO:

WAR MEMORIAL
ENTRYWAY MONUMENT
CITY OF MCALLEN

CITY OF
MCALLEN
ENGINEERING DEPARTMENT

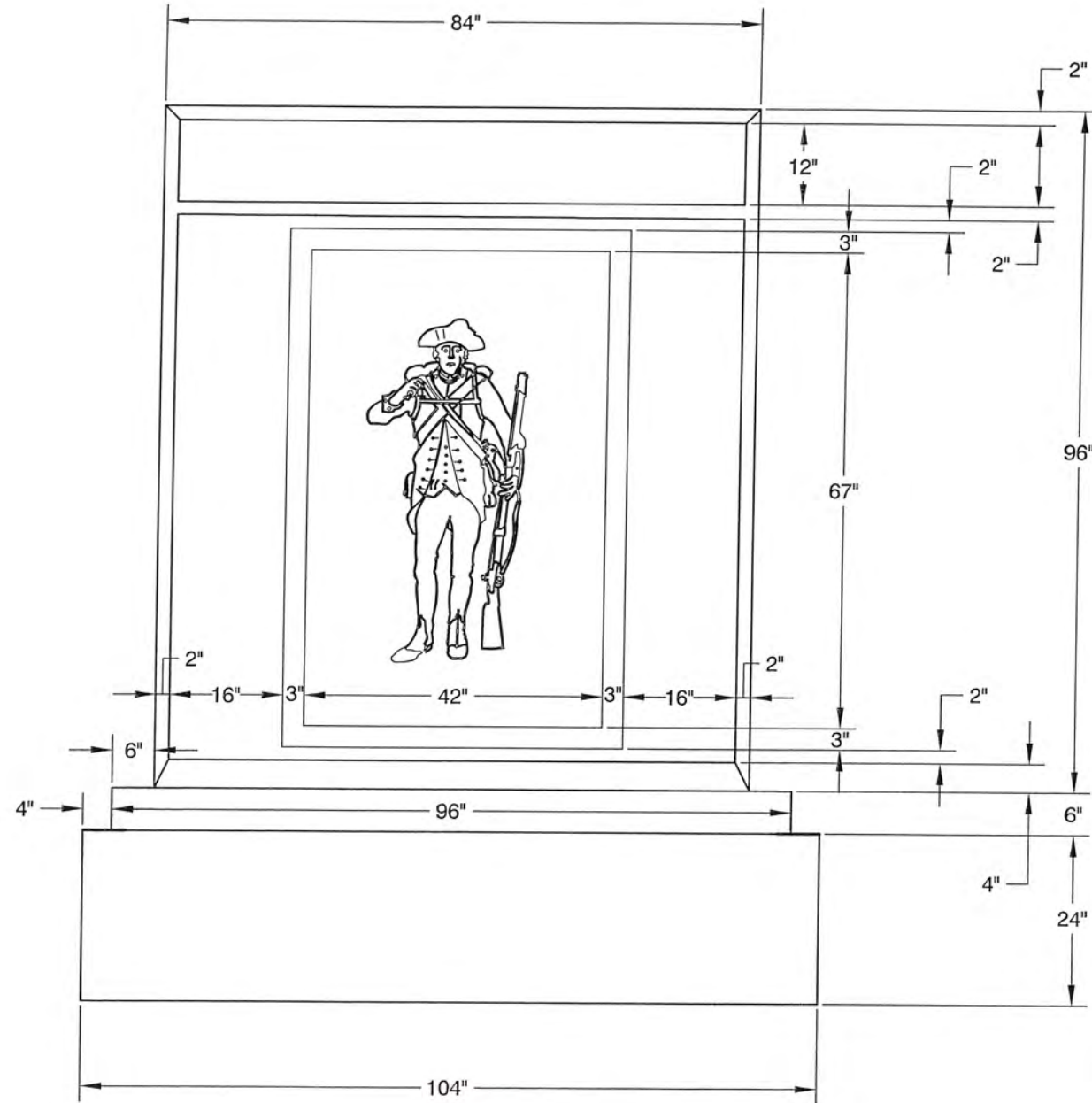
HOR: 1" = 1/4"
VERT: 1" = 1/4"
REVISIONS:

SEAL:

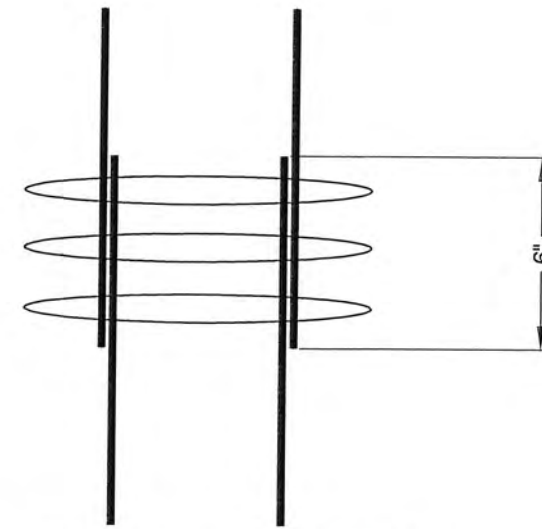
DATE:
SHEET NO:
A8 of 11



"THIS PRODUCT IS FOR INFORMATIONAL PURPOSES AND MAY NOT HAVE BEEN PREPARED FOR OR BE SUITABLE FOR LEGAL, ENGINEERING, OR SURVEYING PURPOSES. IT DOES NOT REPRESENT AN ON-THE-GROUND SURVEY AND REPRESENTS ONLY THE APPROXIMATE RELATIVE LOCATION OF PROPERTY BOUNDARIES. "



1. 6" STEEL LADDER, PLACED ALONG TOP OF EACH LAYER OF BLOCK FROM BOTTOM TO TOP OF BLOCK
2. WALL- 5/8 "REBAR 16" CENTERS, REBAR TIED TO FOUNDATION STEEL SPACING WITH 6" W/ 2 TIES STEEL WIRE. STEEL EXTEND TO 1" BELOW TOP OF LAST BLOCK.
3. FOUNDATION-REBAR 12" CENTERS, REBAR TIED TO FOUNDATION STEEL 6" SPACING 2 TIES TO WALL STEEL. MOULINTIC POUR FIRST 7 DAY, DRYING BEFORE BLOCK ATTACHED AND STEEL OVERLAP TIED 6" APART.
4. CONCRETE-MIX CEMENT, SAND AND GRAVEL MIX TO 3,000 PSI. DRYING WITHIN 7 DAYS LIQUID ADAPTOR MIX WASH WALL TO SMOOTH TEXTURE WITHOUT ANY GAPS OR HOLES.



STEEL FOR WALL SHOW OVERLAP OF STEEL 2" OR GREATER

1 ENTRYWAY MONUMENT
SCALE: 1" = 1/2"



EJM 7/17/19

FILE NAME:
DATE: 2/26/19
SURVEYED BY:
DESIGNED BY: ZEF
DRAWN BY: M.V
CHECKED BY: ZEF
PROJECT NO:

WAR MEMORIAL
ENTRYWAY MONUMENT
CITY OF MCALLEN

CITY OF
MCALLEN
ENGINEERING DEPARTMENT

HOR: 1" = 1/2"
VERT: 1" = 1/2"
REVISIONS:

SEAL:

DATE:
SHEET NO:
A9 OF 11

"THIS PRODUCT IS FOR INFORMATIONAL PURPOSES AND MAY NOT HAVE BEEN PREPARED FOR OR BE SUITABLE FOR LEGAL, ENGINEERING, OR SURVEYING PURPOSES. IT DOES NOT REPRESENT AN ON-THE-GROUND SURVEY AND REPRESENTS ONLY THE APPROXIMATE RELATIVE LOCATION OF PROPERTY BOUNDARIES. "

FILE NAME:
 DATE: 2/26/19
 SURVEYED BY:
 DESIGNED BY: ZEF
 DRAWN BY: M.V.
 CHECKED BY: ZEF
 PROJECT NO:

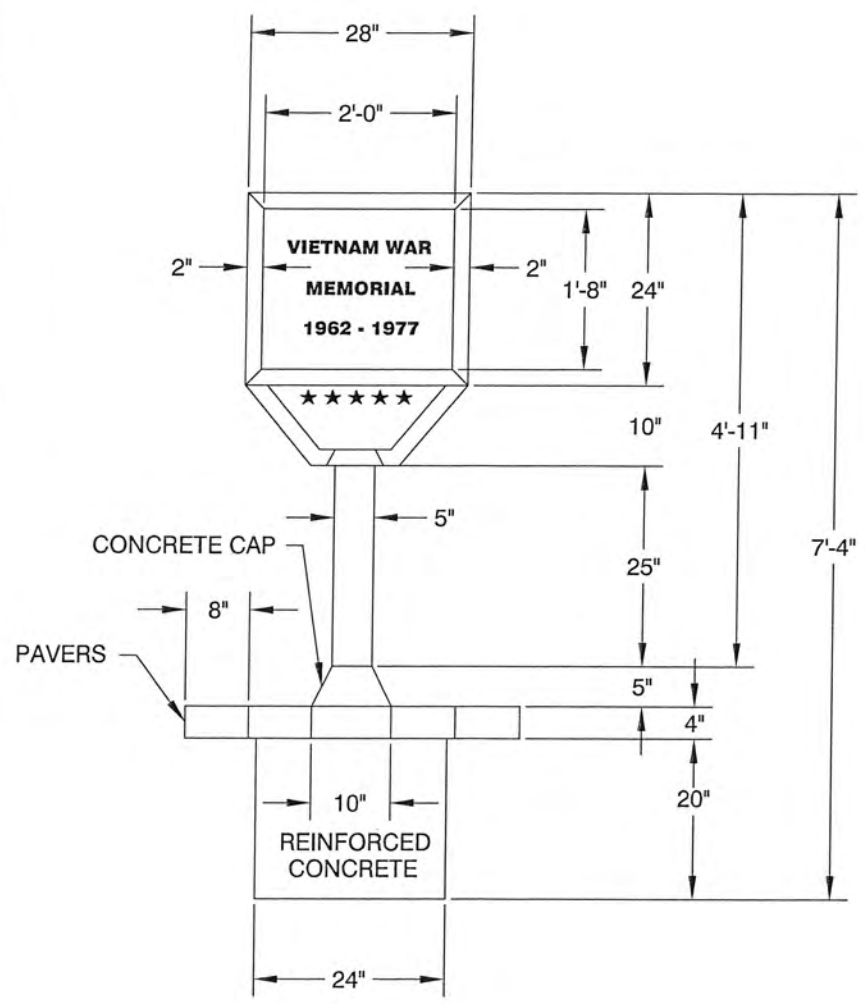
TITLE:
 WAR MEMORIAL
 MONUMENT PEDESTAL
 CITY OF MCALEN

CITY OF
MCALEN
 ENGINEERING DEPARTMENT

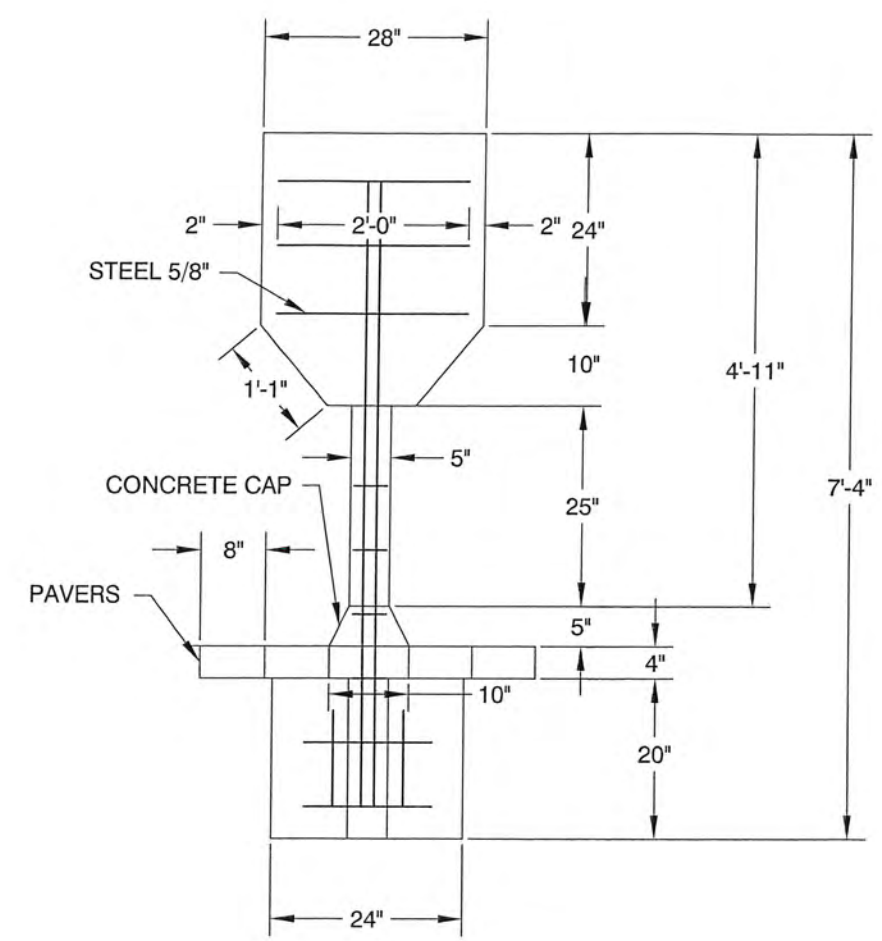
HOR: 1' = 1/2"
 VERT: 1' = 1/2"

REVISIONS:
 SEAL:

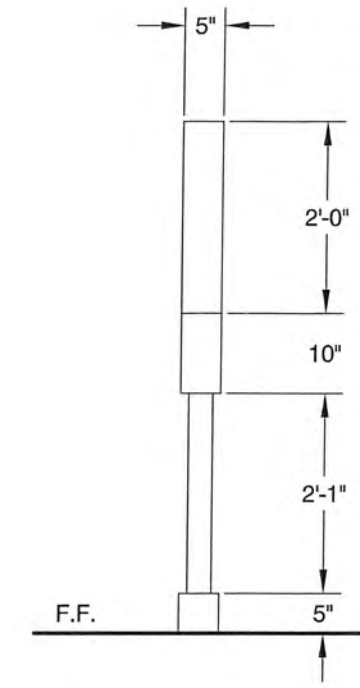
DATE:
 SHEET NO.: A10 of 11



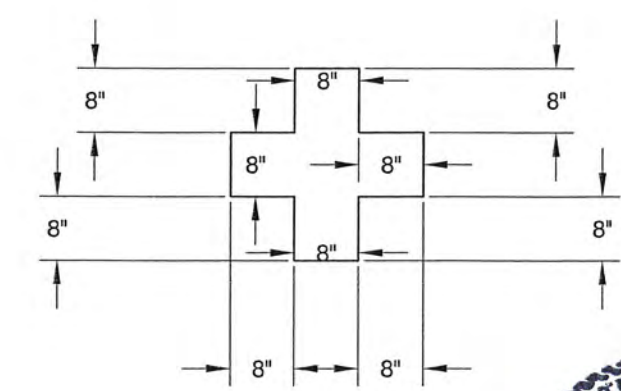
1 HISTORY PEDESTALS
 SCALE: 1' = 1/2"



2 HISTORY PEDESTAL SECTION
 SCALE: 1' = 1/2"



3 PEDESTAL SIDE VIEW
 SCALE: 1' = 1/2"



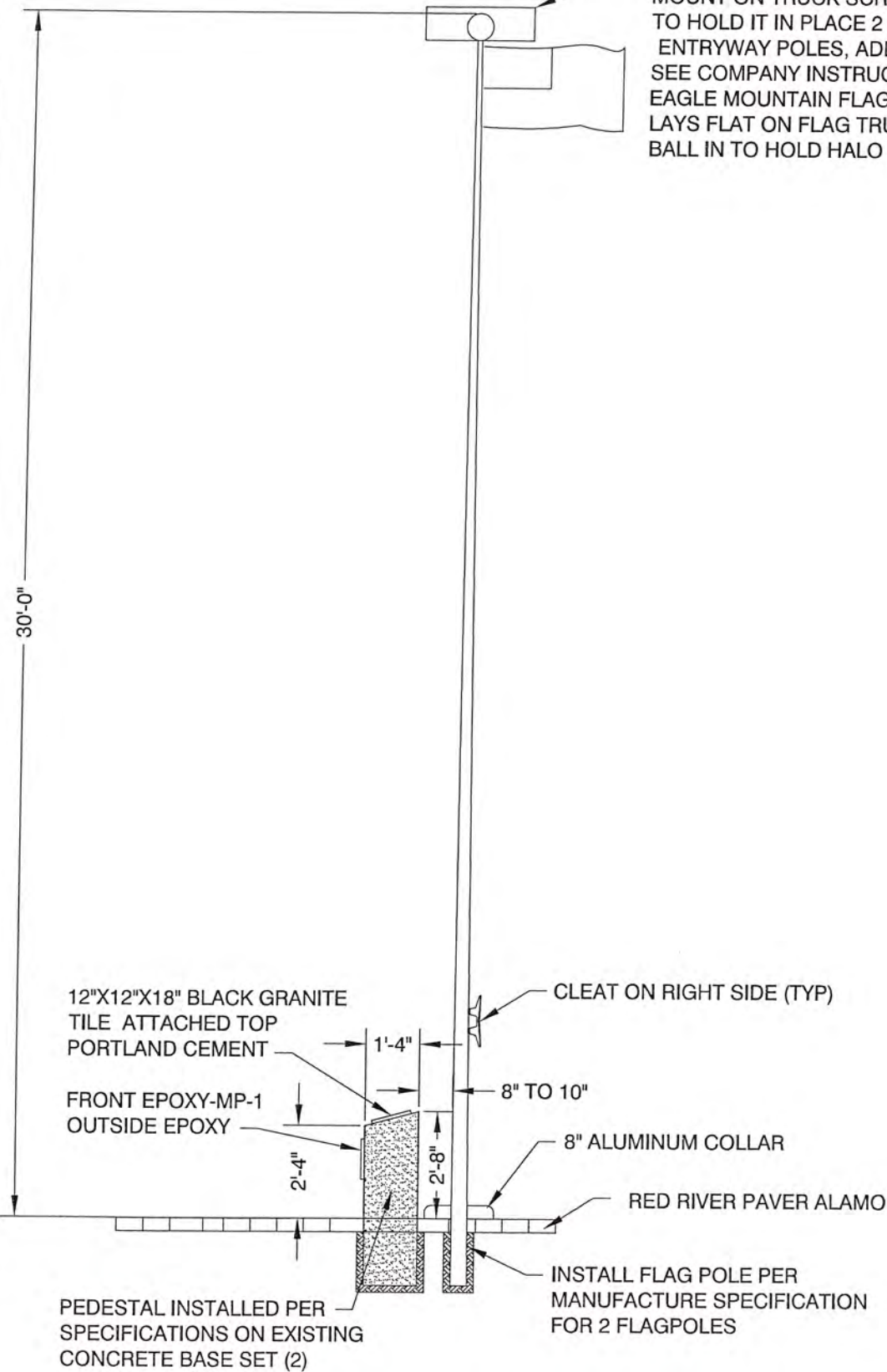
4 PEDESTAL BASE
 SCALE: 1' = 1/2"



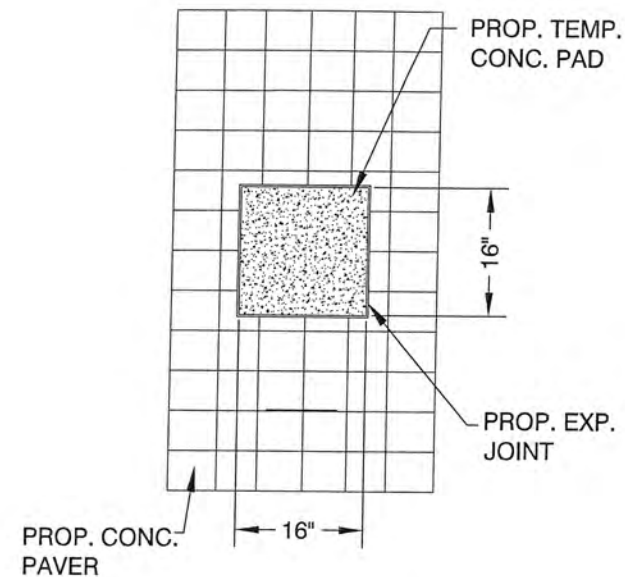
7/17/19

THIS DRAWING IS THE PROPERTY OF THE ENGINEER AND SHALL BE KEPT IN CONFIDENCE. IT IS TO BE USED ONLY FOR THE PROJECT AND SITE SPECIFICALLY IDENTIFIED HEREON. IT IS NOT TO BE REPRODUCED, COPIED, OR TRANSMITTED IN ANY FORM OR BY ANY MEANS, ELECTRONIC OR MECHANICAL, INCLUDING PHOTOCOPYING, RECORDING, OR BY ANY INFORMATION STORAGE AND RETRIEVAL SYSTEM, WITHOUT THE WRITTEN PERMISSION OF THE ENGINEER.

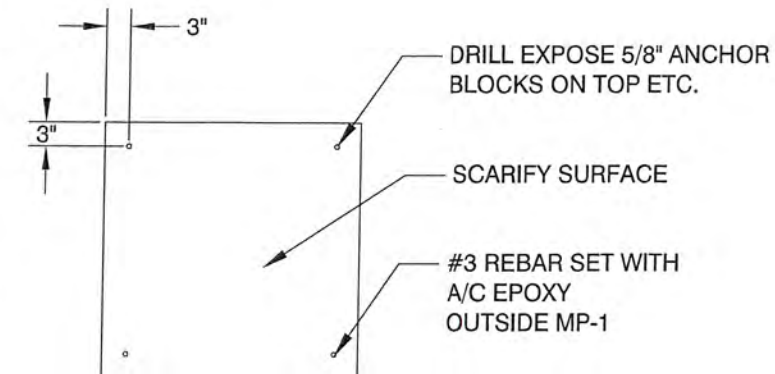
SOLAR DISC LIGHT HALO LIGHT MOUNT ON TRUCK SCREW BALL IN TO HOLD IT IN PLACE 2 ADD TO ENTRYWAY POLES, ADD BATTERIES SEE COMPANY INSTRUCTIONS EAGLE MOUNTAIN FLAG & FLAGPOLE LAYS FLAT ON FLAG TRUCK SCREW BALL IN TO HOLD HALO



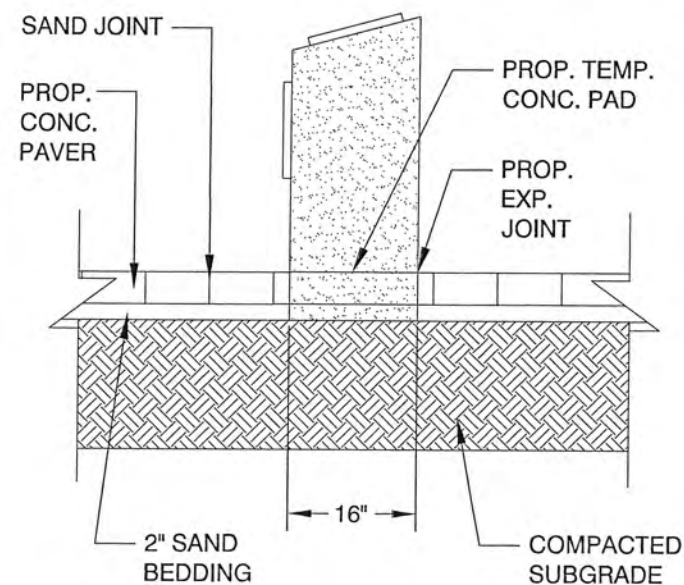
1 ALUMINUM FLAG POLE
SCALE: 1' = 1/4"



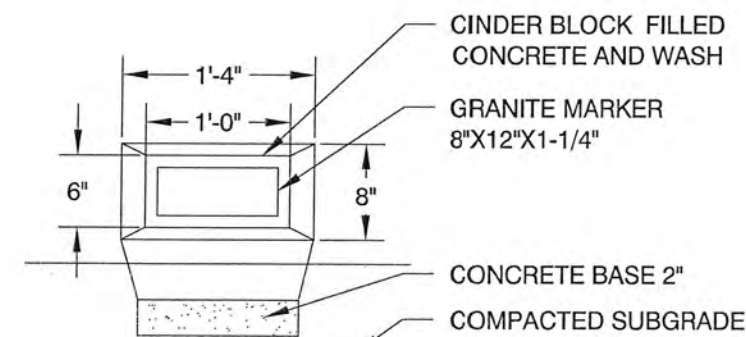
2 EXIST. PEDESTAL BASE
SCALE: 1' = 1/2"



4 EXIST. PEDESTAL BASE
SCALE: 1' = 1/2"



3 PEDESTAL DETAIL
SCALE: 1' = 3/4"



5 PATHWAY MARKER (10)
SCALE: 1' = 3/4"

*FINISH EMERAL ISLE SLOPE TO SIDES FROM MARKER



DATE: 2/26/19
SURVEYED BY:
DESIGNED BY: ZEF
DRAWN BY: M.V.
CHECKED BY: ZEF
PROJECT NO:

WAR MEMORIAL
ALUMINUM FLAG POLE
CITY OF McALLEN

CITY OF
McALLEN
ENGINEERING DEPARTMENT

HOR: 1' = 1/4"
VERT: 1' = 1/4"
REVISIONS:

SEAL:

DATE:
SHEET NO:
A11 OF 11

Handwritten signature and date: Zef 7/17/19