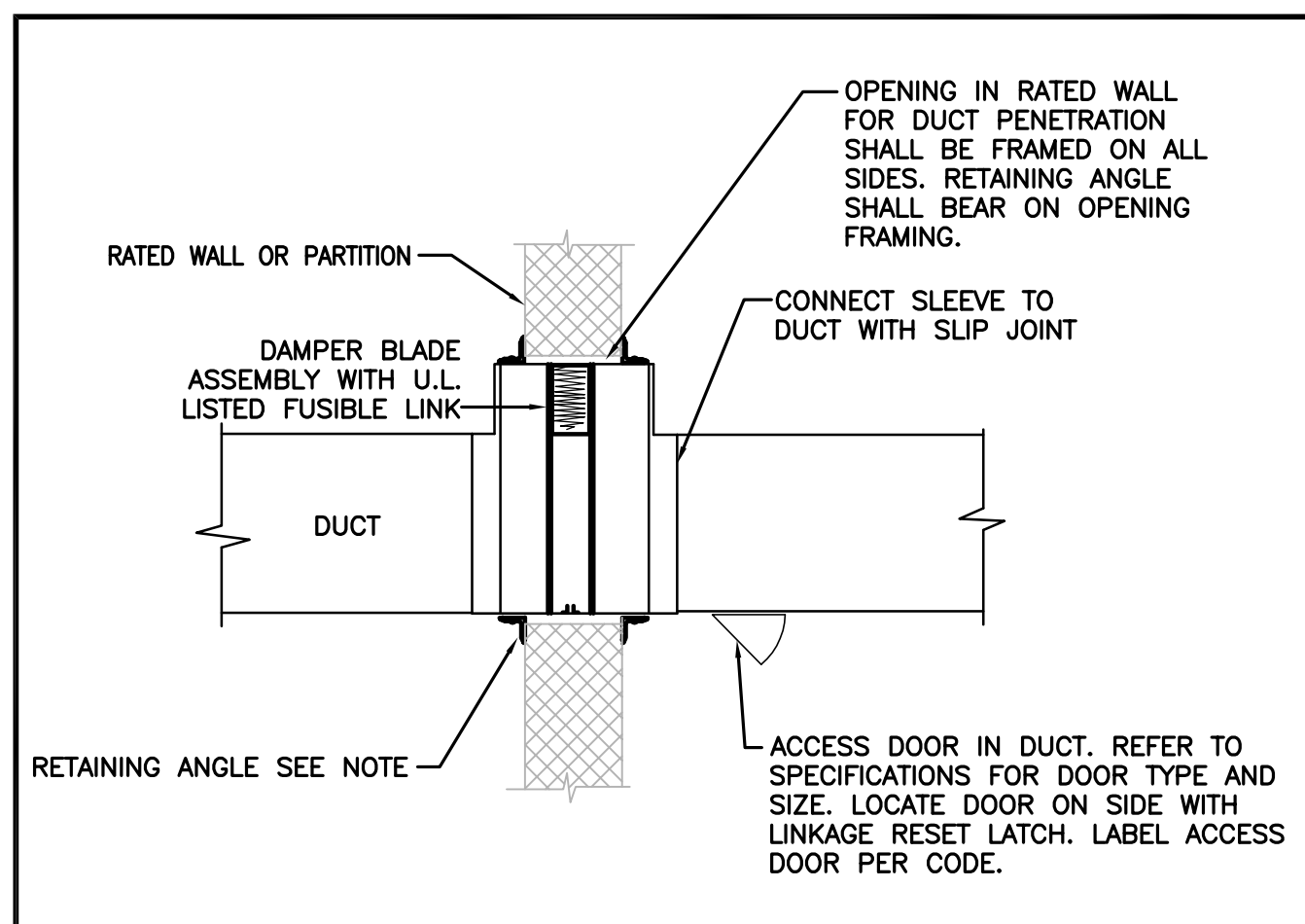
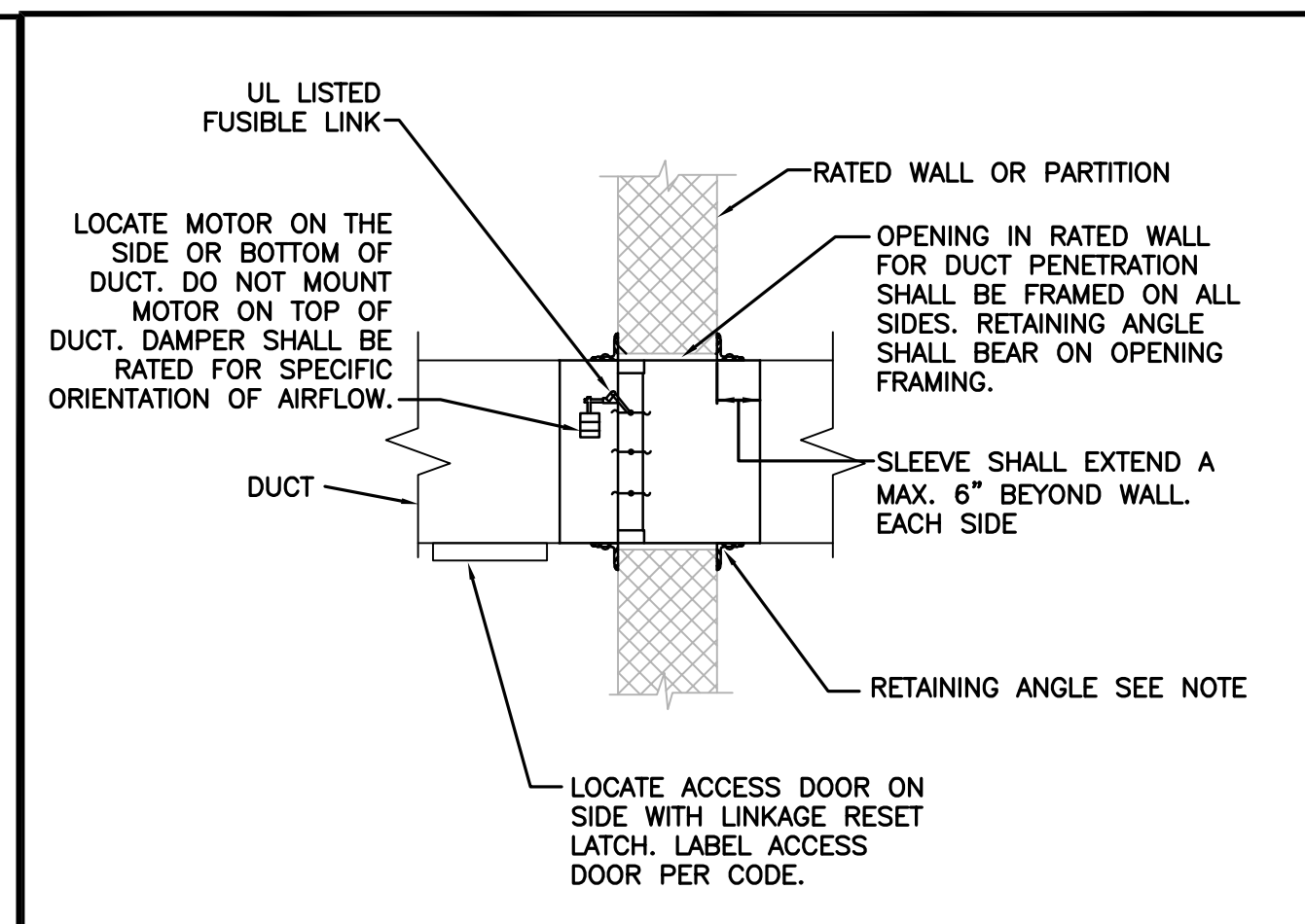


Sep 06, 2018 - 10:50am
 M:\2018\18022 HCA RGRH Inpatient Rehab\Drawings\Mech\18022_M5.01_DETAILS - MECHANICAL.dwg
 atodd



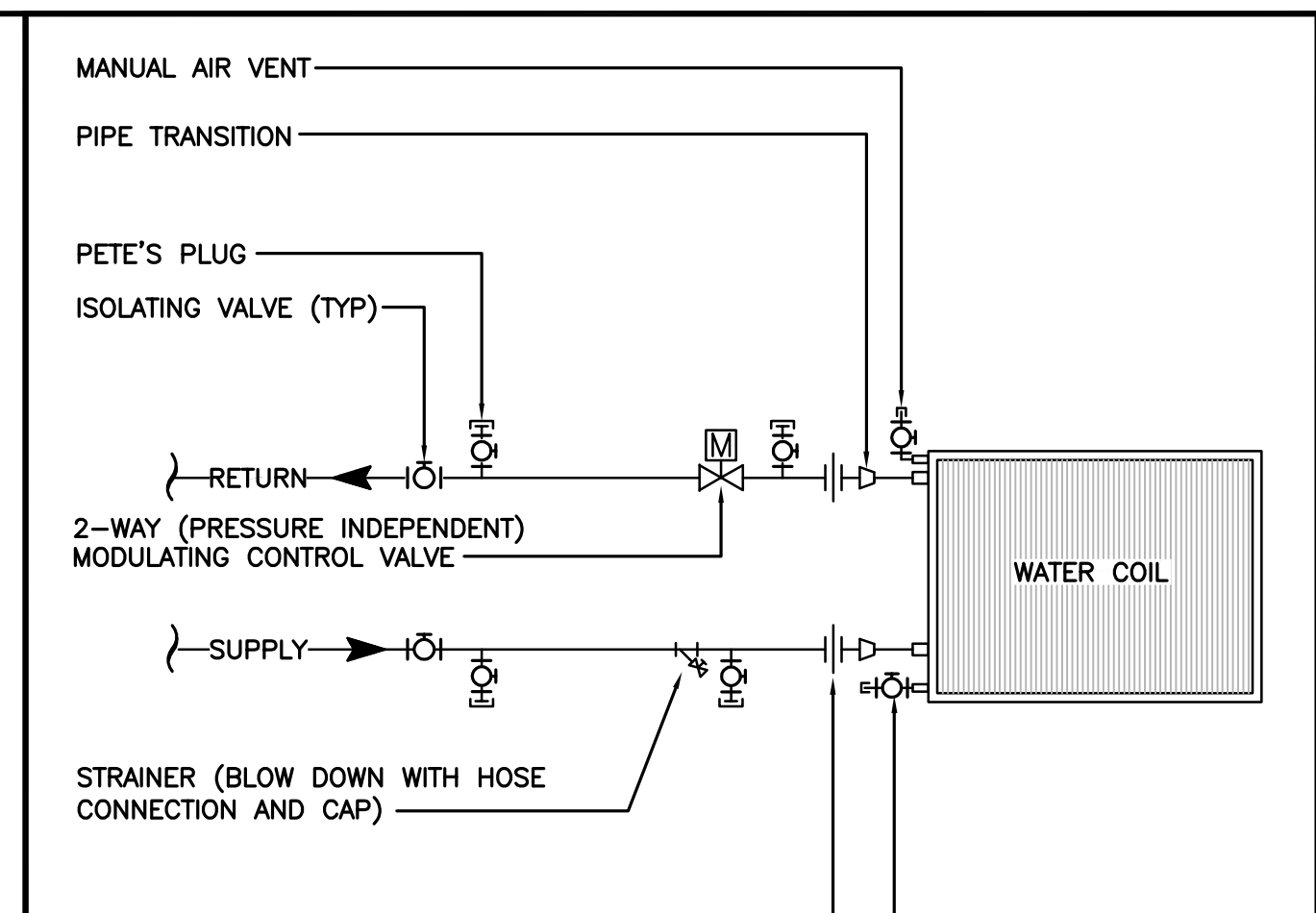
- NOTES:
1. PROVIDE U.L. LISTED DAMPER, SLEEVE & OPERATOR ASSEMBLY IN ACCORDANCE WITH U.L. 555S. REFER TO SPECIFICATIONS FOR DAMPER TYPE.
 2. INSTALL DAMPER AND SLEEVE IN ACCORDANCE WITH MANUFACTURER'S INSTRUCTIONS NOT TO VOID U.L. LISTING.
 3. EXTEND SLEEVE BEYOND WALL A MAX. 6 INCHES. OPERATOR SHALL BE FACTORY MOUNTED TO SLEEVE.
 4. PROVIDE EXPANSION SPACE PER MANUFACTURER'S INSTRUCTION, BUT NOT LESS THAN 1/8" PER LINEAR FOOT.
 5. PROVIDE MINIMUM 1 1/2" x 1 1/2" x 1/8" RETAINING ANGLE ON TOP, BOTTOM & SIDES. ATTACH ANGLES TO SLEEVE IN ACCORDANCE WITH MANUFACTURER'S INSTRUCTIONS. ANGLES SHALL OVERLAP WALL A MINIMUM OF ONE INCH.

06 DUCT FIRE DAMPER INSTALLATION
 NOT TO SCALE



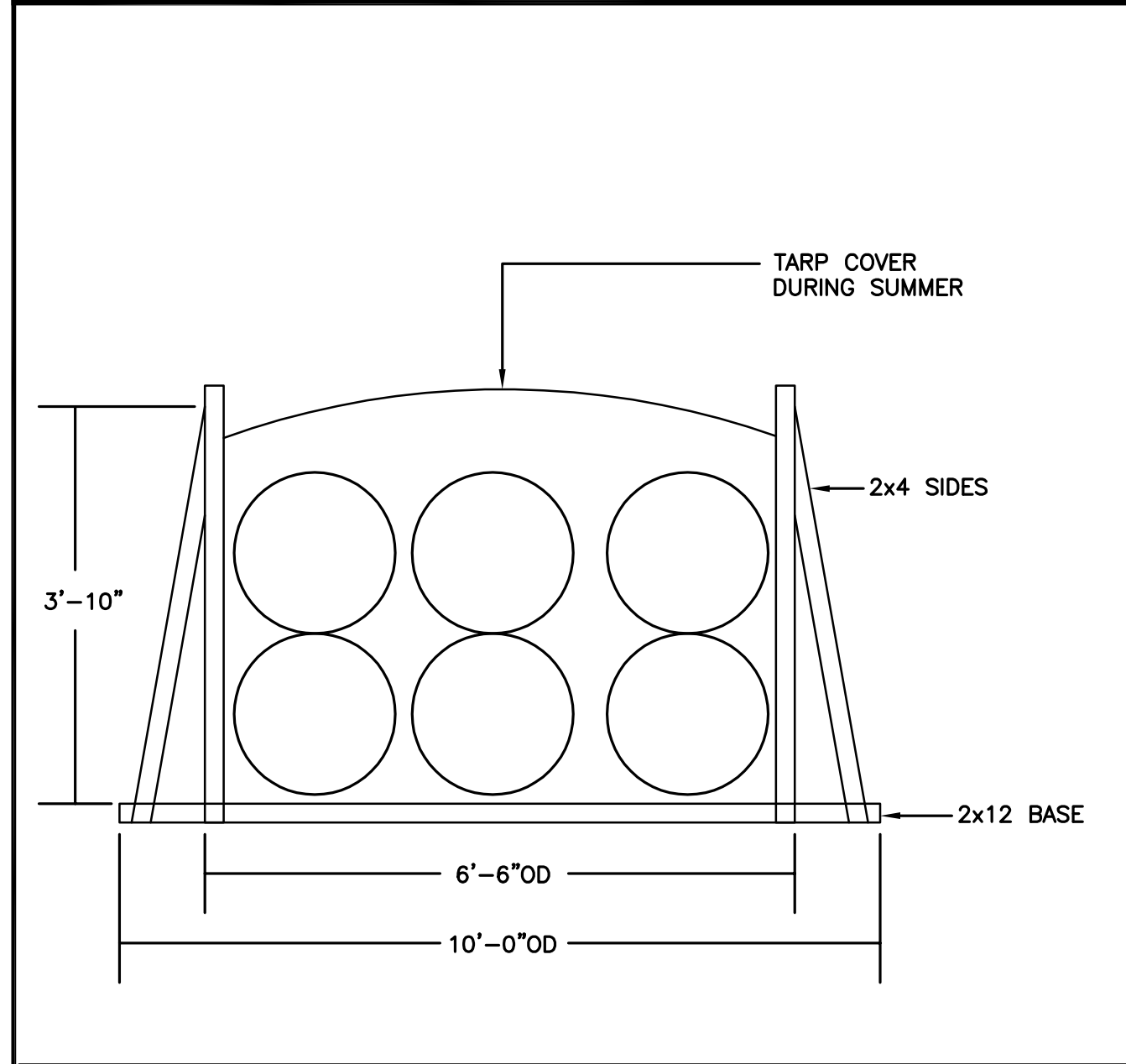
- NOTES:
1. PROVIDE U.L. LISTED DAMPER, SLEEVE & OPERATOR ASSEMBLY IN ACCORDANCE WITH U.L. 555S. REFER TO SPECIFICATIONS FOR DAMPER TYPE.
 2. INSTALL DAMPER AND SLEEVE IN ACCORDANCE WITH MANUFACTURER'S INSTRUCTIONS NOT TO VOID U.L. LISTING.
 3. EXTEND SLEEVE BEYOND WALL A MAX. 6 INCHES. OPERATOR SHALL BE FACTORY MOUNTED TO SLEEVE.
 4. PROVIDE EXPANSION SPACE PER MANUFACTURER'S INSTRUCTION, BUT NOT LESS THAN 1/8" PER LINEAR FOOT.
 5. PROVIDE MINIMUM 1 1/2" x 1 1/2" x 1/8" RETAINING ANGLE ON TOP, BOTTOM & SIDES. ATTACH ANGLES TO SLEEVE IN ACCORDANCE WITH MANUFACTURER'S INSTRUCTIONS. ANGLES SHALL OVERLAP WALL A MINIMUM OF ONE INCH.

04 COMBINATION FIRE + SMOKE DAMPER INSTALLATION
 NOT TO SCALE



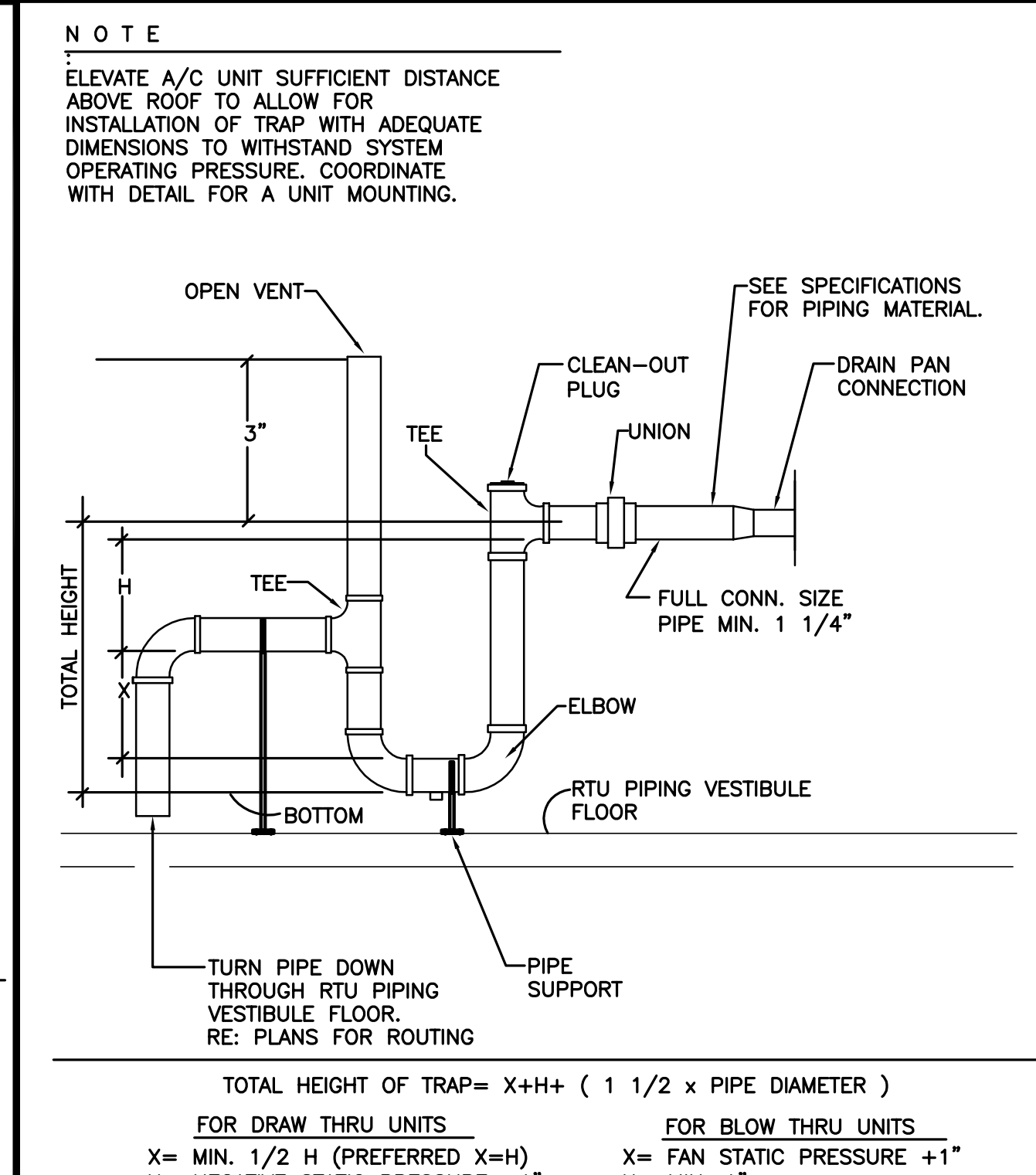
- NOTES:
1. INSULATE ALL PIPING, VALVES, FITTINGS AND ACCESSORIES (REFER TO SPECIFICATIONS).
 2. ISOLATING VALVES SHALL BE BALL VALVES (THROUGH 2") AND BUTTERFLY VALVES (2 1/2" & LARGER).
 3. INSTALL TEST PLUGS IN EASILY ACCESSIBLE LOCATIONS WITH MINIMUM OF 12" CLEARANCE IN FRONT.
 4. WATER SHALL ENTER COIL ON AIR ENTERING SIDE. OFFSET PIPING TO ALLOW FOR COIL PULL WITHOUT DISMANTLING.

02 COIL PIPE CONNECTION DETAIL
 NOT TO SCALE



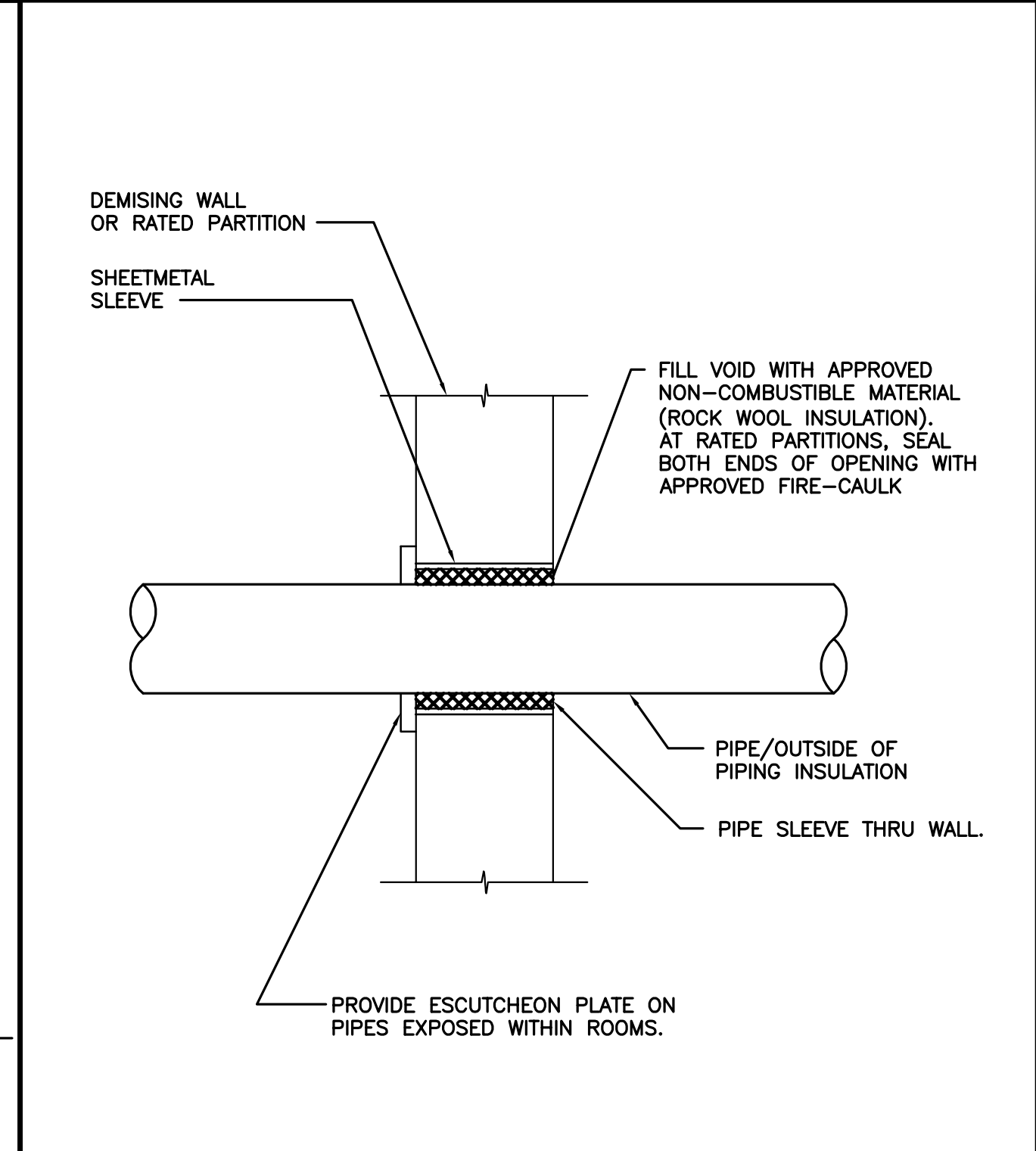
- NOTES:
1. TEMPORARY DUCT SUPPORT SPACING = 4'-0" O.C.

05 TEMPORARY ROOF DUCT SUPPORT
 NOT TO SCALE



- NOTE
- ELEVATE A/C UNIT SUFFICIENT DISTANCE ABOVE ROOF TO ALLOW FOR INSTALLATION OF TRAP WITH ADEQUATE DIMENSIONS TO WITHSTAND SYSTEM OPERATING PRESSURE. COORDINATE WITH DETAIL FOR A UNIT MOUNTING.
- TOTAL HEIGHT OF TRAP= X+H+ (1 1/2 x PIPE DIAMETER)
- FOR DRAW THRU UNITS FOR BLOW THRU UNITS
- X= MIN. 1/2 H (PREFERRED X=H) X= FAN STATIC PRESSURE +1"
- H= NEGATIVE PRESSURE +1" H= MIN. 1"

03 CONDENSATE DRAIN PIPING
 NOT TO SCALE



01 PIPING AT INTERIOR WALL
 NOT TO SCALE

3rd Floor INPATIENT REHAB UNIT

FOR INTERIM REVIEW ONLY
 THIS DOCUMENT IS RELEASED FOR THE PURPOSE OF INTERIM REVIEW ONLY, UNDER THE AUTHORITY OF:
 Name: GREG W. MERCIER
 P.E. No. 114431
 DATE: 09/06/2018
 AND IS NOT INTENDED TO BE USED FOR BIDDING OR CONSTRUCTION PURPOSES.

NO.	ISSUE	DATE

Sheet Information	
DATE	09/06/2018
JOB NUMBER	18302
TITLE	DETAILS - MECHANICAL

SHEET
M5.02
ISSUED FOR PRICING ONLY